



Made by NARVI Oy Finland



Narvi Softy sauna base ring
Installation manual

GB

Narvi Softy sauna base ring

This sauna platform skirting user manual is applicable to the Narvi Softy 907116 (6.8 kW), 907117 (9 kW) and 907118 (10.5 kW) sauna heaters. **If you are using the Narvi Softy 907113 (6 kW) or 907115 (9 kW) sauna heater, when installing the sauna platform skirting you must take into account the safety intervals applicable to surfaces of flammable materials indicated in the sauna heater user manual and the information plaque!** The sauna heater model is indicated in the information plaque attached to the heater.

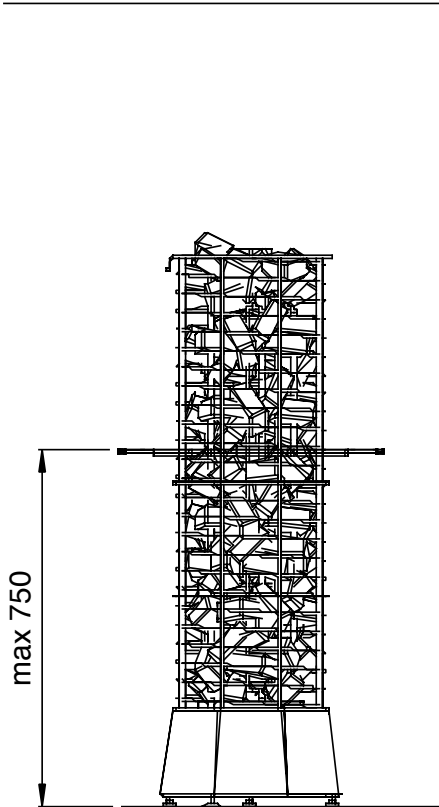
The edge of the sauna bench can be used with boards with a maximum thickness of 30 mm. When installing the frame of the bench (girders, feet, supports) safety distances stipulated for the heater shall be observed.

Supplied:

- » ring
- » packaging / template
- » attachment parts, 4 pcs
- » screws 4.2 x 25, 4 pcs

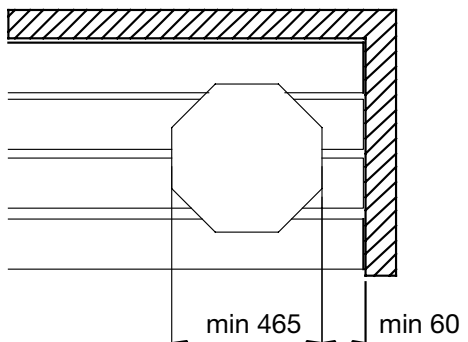
Installation

- » Remove the template from the packaging cover.
- » Use the template to draw the outline of the hole to be made in the sauna base (**Figure 1**). When installing the ring, ensure that it is centred on the hole edges.
- » Make the hole along the drawn outline.
- » Fixate the attachments parts (4 pcs) using the screws from below to the sauna base (**Figure 2**).



▲ SOFTY SAUNA BASE RING INSTALLATION HEIGHT FROM FLOOR.

▼ DIMENSIONS OF THE APERTURE OF THE SOFTY SAUNA PLATFORM SKIRTING FOR THE SOFTY 907116 (6.8 KW) AND 907117 (9 KW) SAUNA HEATERS.



▼ DIMENSIONS OF THE APERTURE OF THE SOFTY SAUNA PLATFORM SKIRTING FOR THE SOFTY 907118 (10.5 KW) SAUNA HEATER.

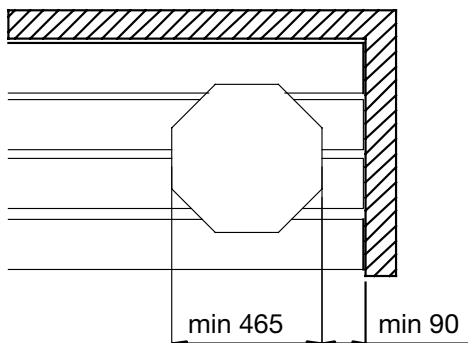


FIGURE 1



FIGURE 2